

FilterBox Modular Extraction/Filter System



Complete mobile FilterBox unit with Extraction Arm Original.

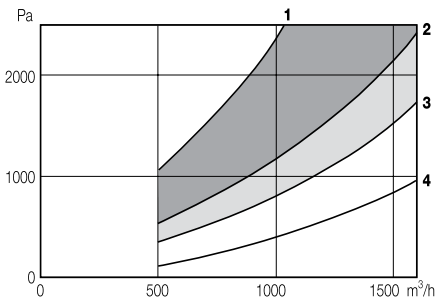
FilterBox is a system that solves most common demands regarding extraction of welding fumes and dust. It can be combined to work as a single mobile unit or as a fixed modular unit with expandable capacity. Filter cleaning is manual, semi-automatic or fully automatic (compressed air cleaning) depending on model. Special model for food, medical or chemical industry. All features below apply to the standard model.

Accessories can be attached to improve individual applications - see next page.

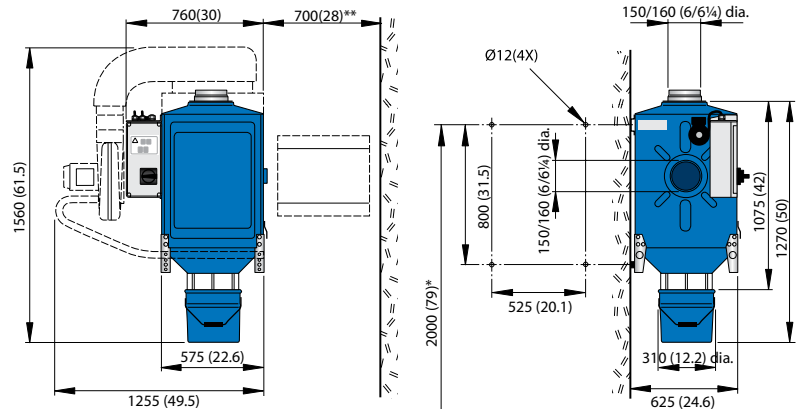
- Mobile units or fixed wall/floor installations
- Complete kits or modules for customization
- Manual, semi-automatic or fully automatic filter cleaning

Description	Noise level, dB(A)
FilterBox with silencer, 3 m arm, fan N24	61
FilterBox with silencer, 3 m arm, fan N29	68
FilterBox without silencer, 3 m arm, fan N24	72
FilterBox without silencer, 3 m arm, fan N29	75

Pressure Drop



The pressure drop across the FilterBox varies with air flow and dust load. Maintaining a certain average airflow with increasing dust load requires a shorter interval between cleaning. 1) heavy load 2) light load, welding 3) light load, dust 4) clean filter cartridge
Grey areas describe average operating range



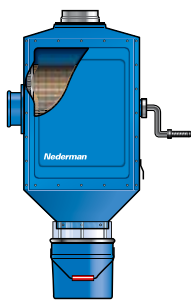
mm (inch) *)Recommended mounting height from floor.
**) Minimum distance from wall to achieve filter cartridge change. Manual filter cleaning.

Complete kits, for fixed or mobile installation

Type of kit	Kit consists of	Weight, kg	Part no.
Wall mounted Basic	Filter Standard PW13 + Original arm 3 m + Fan N24, 3 phase, 230/400V, 50 Hz, 0.9 kW. Note! Silencer not included!	140	12640663
Wall mounted Standard	Filter Standard PW13, 3-phase, 400 V + Original arm 3 m + Fan N29, 3-phase, 230/400 V, 50 Hz, 2.2 kW + Silencer	165	12640963
Wall mounted Monitor	Filter Standard PW13, 3-phase, 400 V + Original arm 3 m (incl light) + Fan N29, 3-phase, 230/400 V, 50 Hz, 2.2 kW + Silencer	170	12641263
Floor mounted Basic	Filter Standard PW13 + Original arm 3 m + Fan N24, 3 phase, 230/400V, 50 Hz, 0.9 kW. Note! Silencer not included!	140	12640563
Floor mounted Standard	Filter Standard PW13, 3-phase, 400 V + Original arm 3 m + Fan N29, 3-phase, 230/400 V, 50 Hz, 2.2 kW + Silencer	165	12640863
Floor mounted Monitor	Filter Standard PW13, 3-phase, 400 V + Original arm 3 m + Fan N29, 3-phase, 230/400 V, 50 Hz, 2.2 kW + Silencer	170	12641163
Mobile unit Basic	Filter Standard PW13 + Original arm 3 m + Fan N24, 3 phase, 230/400V, 50 Hz, 0.9 kW. Note! Silencer not included!	140	12640763
Mobile unit Standard	Filter Standard PW13, 3-phase, 400 V + Original arm 3 m (incl light) + Fan N29, 3-phase, 230/400 V, 50 Hz, 2.2 kW + Silencer	165	12641063
Mobile unit Monitor	Filter Standard PW13, 3-phase, 400 V + Original arm 3 m (incl light) + Fan N29, 3-phase, 230/400 V, 50 Hz, 2.2 kW + Silencer	170	12641363

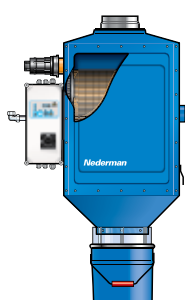
Product availability may differ by country

FilterBox Basic



Manual filter cleaning by a hand crank. For simple welding and dust applications with no need for automatics. Note! When connected to a fan, a separate starter must be added.

FilterBox Monitor



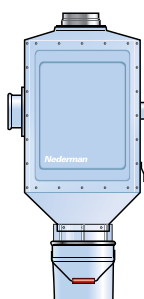
Fully automatic mechanical filter cleaning, normally combined with compressed air cleaning. For heavy welding applications.

FilterBox Standard



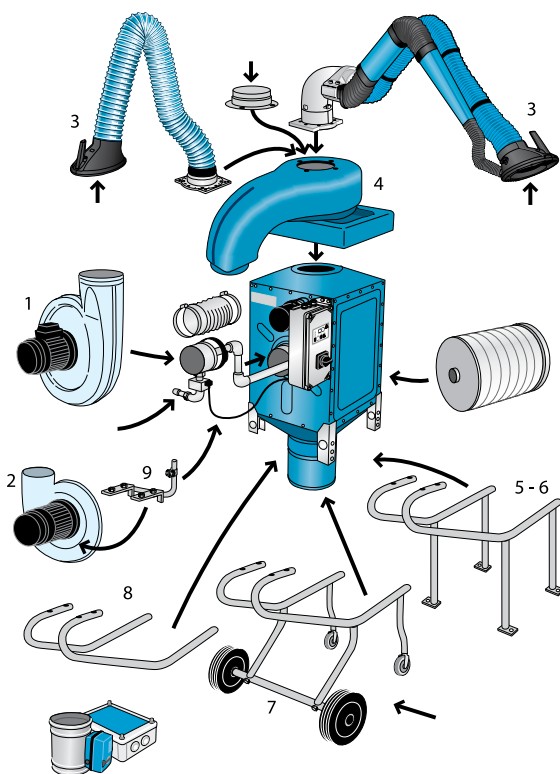
Semi-automatic filter cleaning manually initiated. Can be combined with compressed air cleaning. For welding and dust applications.

Spaceblue



The FilterBox unit is also available in space blue for food and chemical applications.

Combination Possibilities



FilterBox Basic

Filter cartridge	Weight, kg	Part no.
PW13	65	12600163
PW13 (space blue)	65	12606263

FilterBox Monitor

Filter cartridge	Filter cleaning	Voltage, V	Phase*	Weight, kg	Part no.
No filter	Motor + Compr. air	400	3	65	12640463
PW13	Motor + Compr. air	400	3	65	12642463

FilterBox Standard

Filter cartridge	Filter cleaning	Voltage, V	Phase*	Weight, kg	Part no.
No filter	Motor	400	3	65	12630463
PW13	Motor	110	1	65	12631063
PW13	Motor	230	1	65	12631163
PW13	Motor	230	3	65	12631363
PW13	Motor	400	3	65	12631463
PW13	Motor + Compr. air	230	1	65	12632163
PW13	Motor + Compr. air	400	3	65	12632463
PWHE15	Motor + Compr. air	400	3	65	12635463

Spaceblue

Filter cartridge	Filter cleaning	Voltage, V	Phase*	Weight, kg	Part no.
PW13	Motor	230	1	65	12633163
PW13	Motor	230	3	65	12633363
PW13	Motor	400	3	65	12633463
PWHE15 (antistatic)	Motor + Compr. air	400	3	65	12637463

*) Motor protector included.

	Accessories	Part no.
1	Fan N29 for heavy duty and long duct systems, 1000-1200 m ³ /h, 2.2 kW, 220 - 240 / 380 - 420V, 3-phase, 50Hz	14510829
2	Fan N24 for light dust, 800-1000 m ³ /h, 0.75 kW, 110 - 120 / 220 - 240V, 1-phase, 50Hz	14510122
2	Fan N24 for light dust, 800-1000 m ³ /h, 0.9 kW, 200 - 240 / 280 - 420V, 3-phase, 50Hz	14510422
3	Extractor arm, max length for arm on mobile unit: 3 m. (See separate brochures for Original Arm, NEX MD, and NEX HD)	
4	Silencer, blue	12371420
4	Silencer, space blue	12371569
5	Floor stand for FilterBox with fan	12371422
6	Floor stand for FilterBox connected to central fan	12371423
7	Trolley	12371421
8	Bracket for wall mounting box with fan	12371424
9	Additional bracket for mounting fan N24 on the FilterBox	12371018
	Cable set, 220/240V, 1 phase	12363606
	Cable set, 110V, 1 phase	12363608
	Cable set, 3 phase	12363609
10	Compressed air cleaning, 4-6 bar	12333354

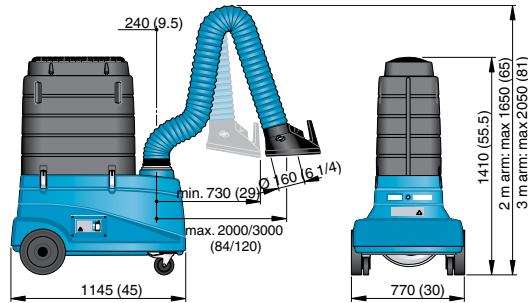
Replacement filter	Use for	Efficiency, %	Area, m ²	Part no.
PW13	Welding	99	13	12332672
PW HE15	Dust, stainless steel welding	99.90	15	12371106
PWA HE15	Dust (antistatic)	99.90	15	12371412

Product availability may differ by country

FilterCart Mobile Extraction/Filter Units

FilterCart Original

FilterCart Original mobile filter unit for light welding and extraction applications. FilterCart Original includes Extraction Arm Original with an integrated spotlight, which optimizes the user-friendly design. If a larger working range is needed, the 3 m (10 ft.) long arm is recommended.



mm (inch)
Horizontally swivelling arm

Arm length m	Arm Ø, mm	Max. airflow, m³/h	Filter efficiency, %	Filter area, m²	Voltage, V/ electrical plug	Power, kW	Frequency, Hz	Phase	Noise level, dB(A)	Weight, kg	Part no.
2	160	1050	99	35	230/EUR	0.75	50	1	73	73	12621245
2	160	1050	99	35	240/UK	0.75	50	1	73	73	12623245
2	160	1050	99	35	110/UK	0.75	50	1	73	73	12622245
3	160	1050	99	35	230/EUR	0.75	50	1	73	73	12621345
3	160	1050	99	35	240/UK	0.75	50	1	73	73	12623345
3	160	1050	99	35	110/UK	0.75	50	1	73	73	12622345

Accessories	Part no.
HEPA filter H13, 7.5 m² high efficiency final filter, class H13.	12374016
Spark protection, for mounting in the hood. To reduce risk of fire.	10551335

Replacement filter	Part no.
35 m² flame retardant pleated cellulose material. = 99% efficiency for welding fume. Measured according to the test procedures in EN 15012-1.	12374023

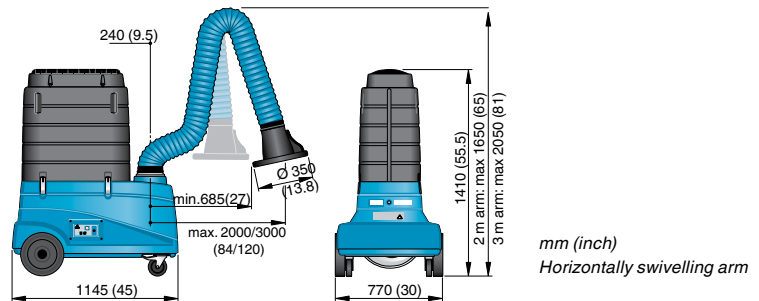


Product availability may differ by country

FilterCart W3



FilterCart W3 mobile filter unit for extraction in light production applications is "state of the art" with all possible features. Includes a warning signal when the filter is full. The W3 model fulfills the legislations W3 from BGIA. The specially designed metal hood with integrated spotlight creates maximum air velocity at the welding spot.



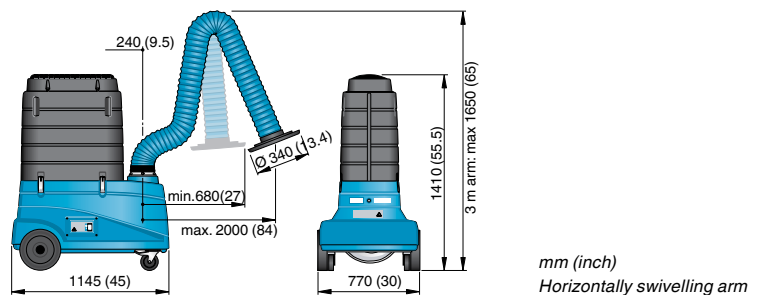
Arm length, m	Arm Ø, mm	Max. airflow, m³/h	Filter efficiency, %	Filter area, m²	Voltage, V/ electrical plug	Power, kW	Frequency, Hz	Phase	Noise level, dB(A)	Weight, kg	Part no.
2	160	600-1050	99	35	230/EUR	0.75	50	1	73	73	12631245
2	160	600-1050	99	35	240/UK	0.75	50	1	73	73	12633245
2	160	600-1050	99	35	110/UK	0.75	50	1	73	73	12632245
3	160	600-1050	99	35	230/EUR	0.75	50	1	73	73	12631345
3	160	600-1050	99	35	240/UK	0.75	50	1	73	73	12633345
3	160	600-1050	99	35	110/UK	0.75	50	1	73	73	12632345

Accessories	Part no.	Replacement filter	Part no.
HEPA filter H13, 7.5 m² high efficiency final filter, class H13.	12374016	35 m² flame retardant pleated cellulose material. = 99% efficiency for welding fume. Measured according to the test procedures in EN 15012-1.	12374023
Spark protection, for mounting in the hood. To reduce risk of fire.	10551335		

FilterCart Carbon



FilterCart Carbon mobile filter unit is specially designed for extraction of odours. FilterCart Carbon includes Extraction Arm Standard and can be equipped with HEPA filter for maximum efficiency. Applications: solvents, fumes and other gas contaminants.



Arm length, m	Arm Ø, mm	Max. airflow, m³/h	Filter efficiency, %	Filter	Voltage, V/ electrical plug	Power, kW	Frequency, Hz	Phase	Noise level, dB(A)	Weight, kg	Part no.
2	160	600	99	20 kg activated carbon	230/EUR	0.55	50	1	74	82	12641245
2	160	600	99	20 kg activated carbon	240/UK	0.55	50	1	74	82	12643245
2	160	600	99	20 kg activated carbon	110/UK	0.55	50	1	74	82	12642245

Accessory	Part no.	Replacement filter	Part no.
HEPA filter H13, 7.5 m² high efficiency final filter, class H13.	12374016	20 kg activated antracite carbon for general use.	12374025

Product availability may differ by country